



## Fitting and operating instructions

Canopy Door

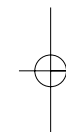
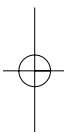
01.2003 (Issue 01.2003) Art. Nr. 1 818 010



Copyright.

No reproduction even in part is allowed  
without our permission.

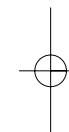
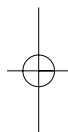
All details subject to change.



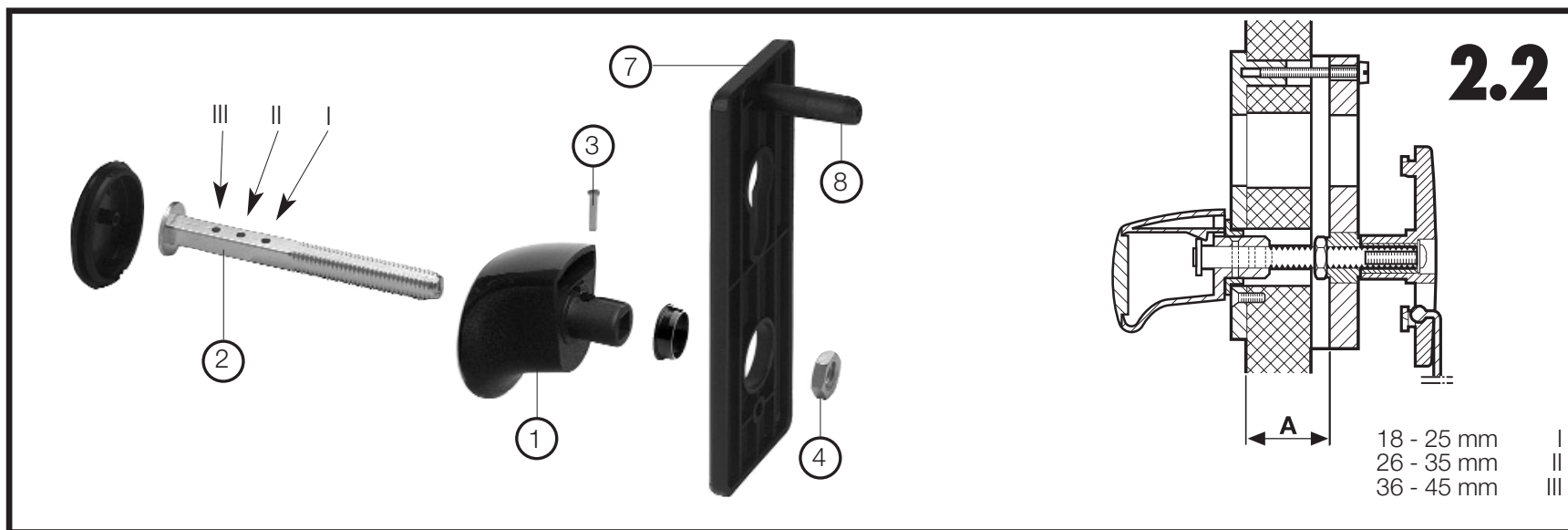
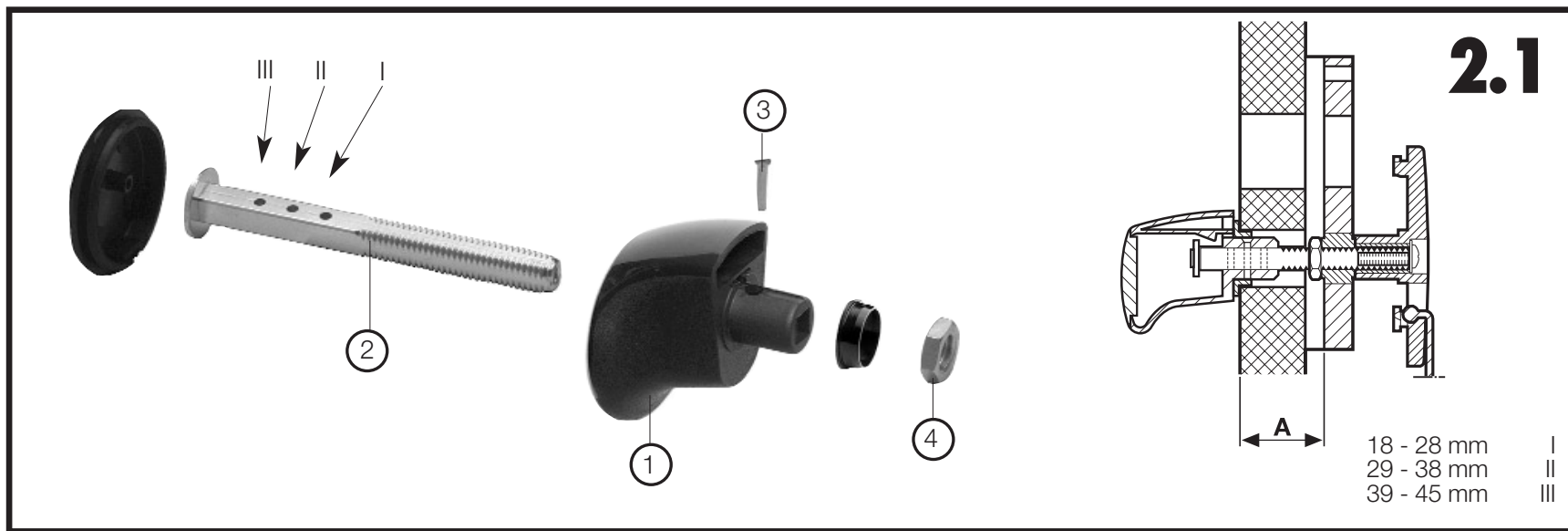


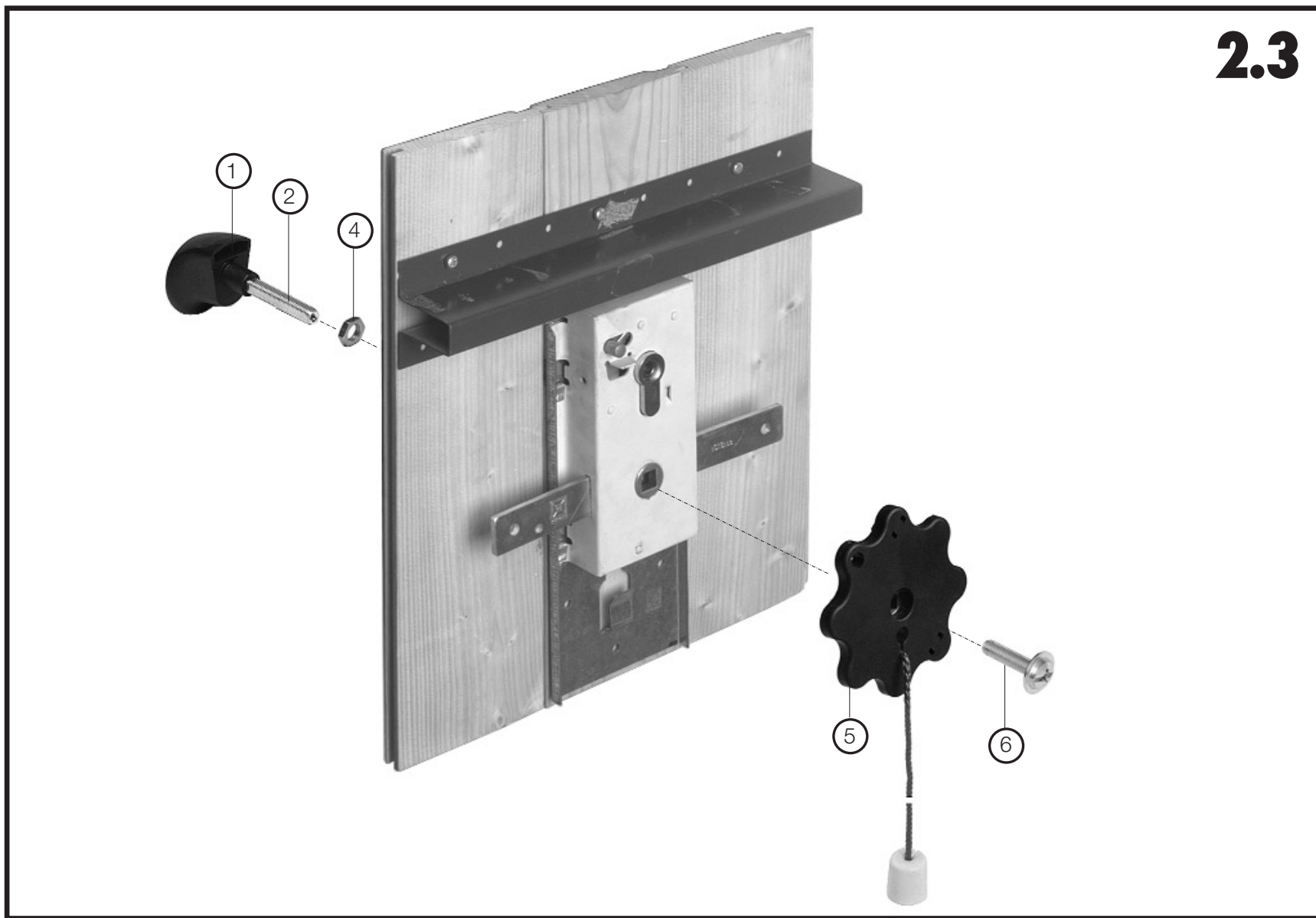
This part of the fitting instruction must be used in combination with the text part.

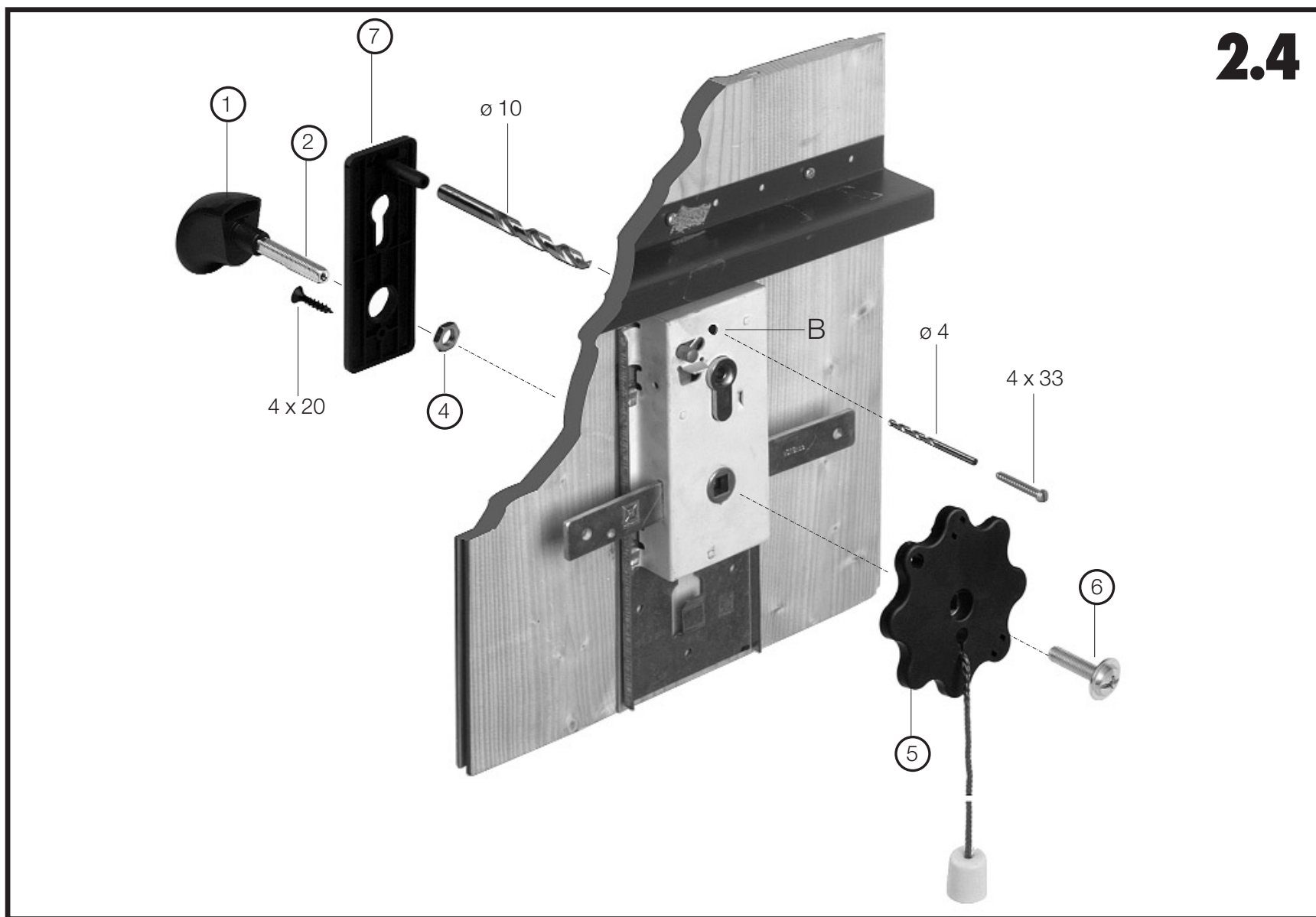
**Fitting to steel frame: ..... 4 - 14**  
**Fitting to timber frame: ..... 15 - 25**



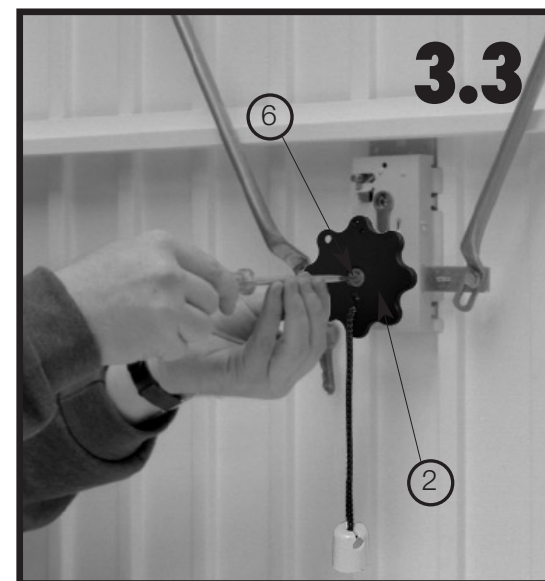
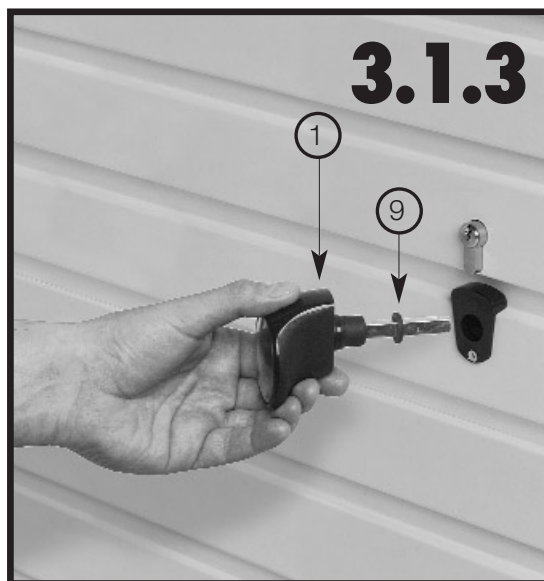
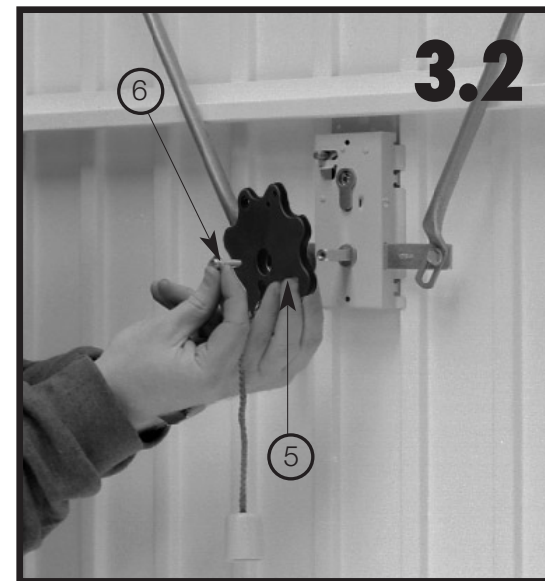




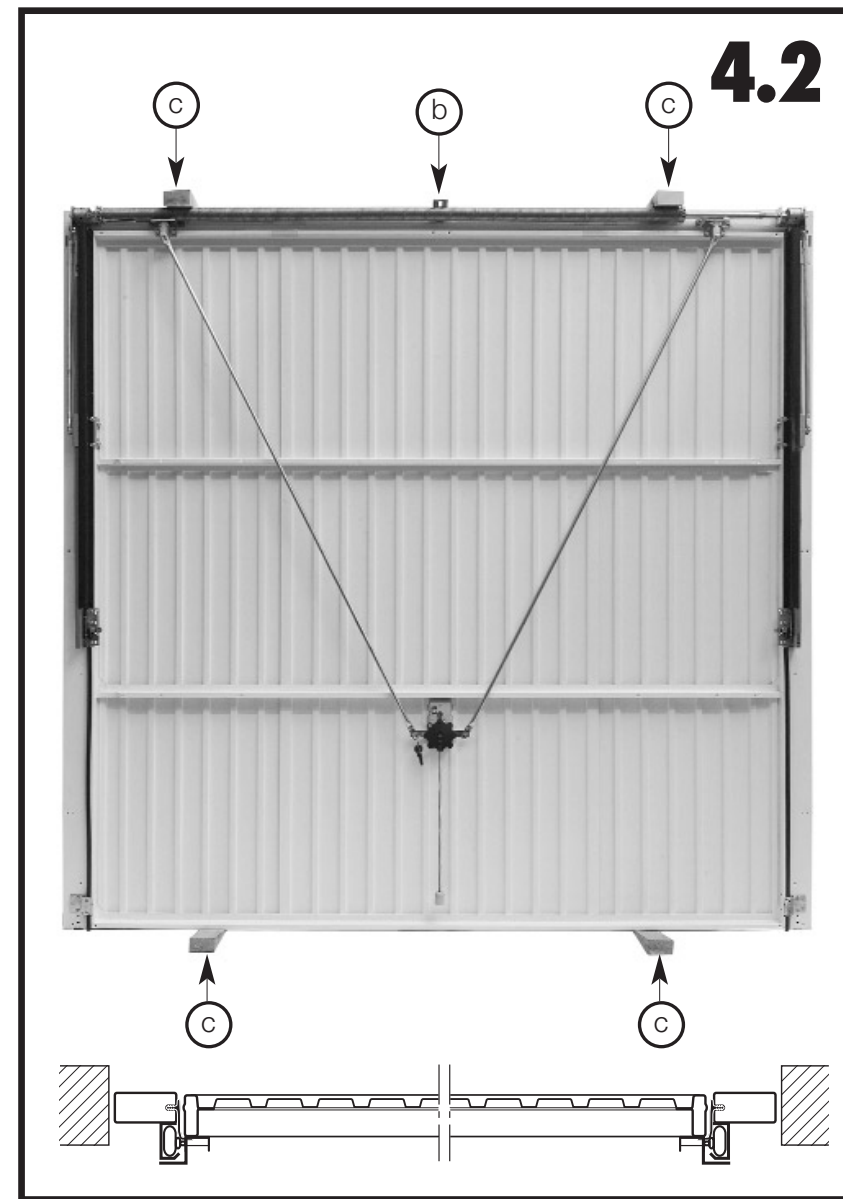
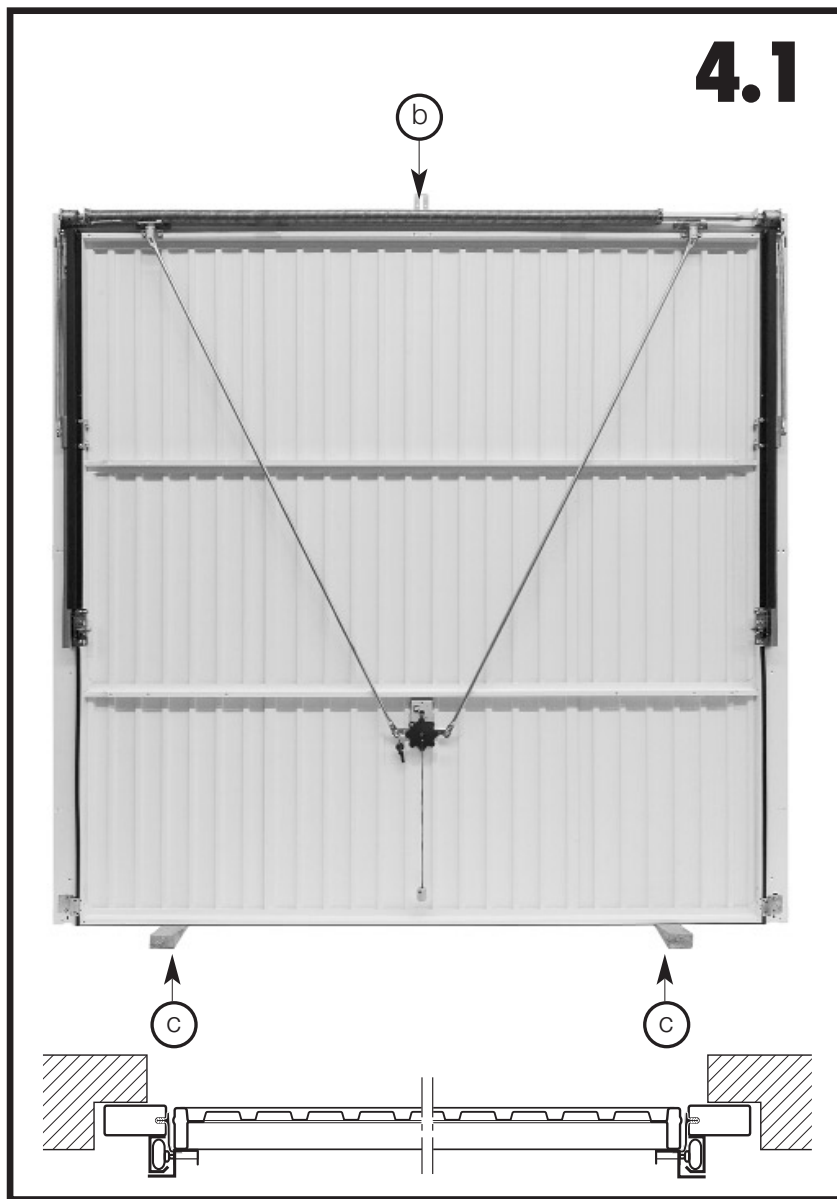


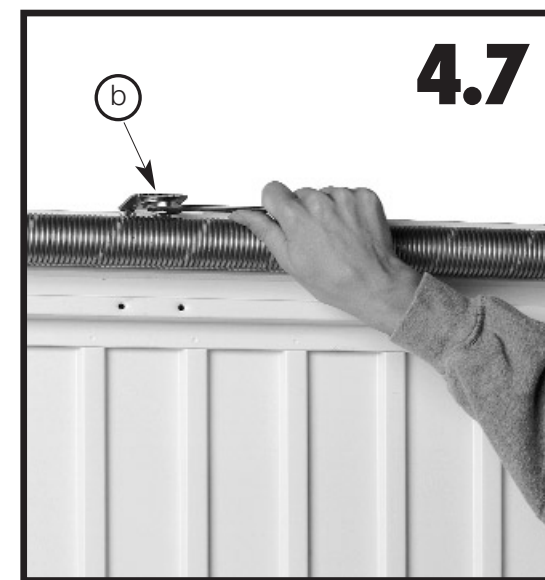
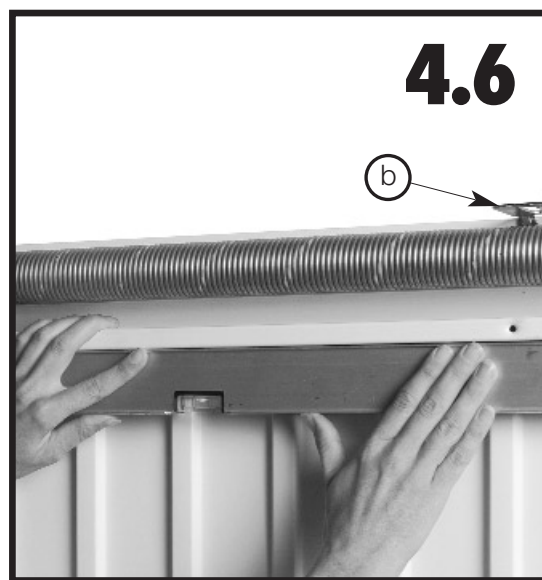
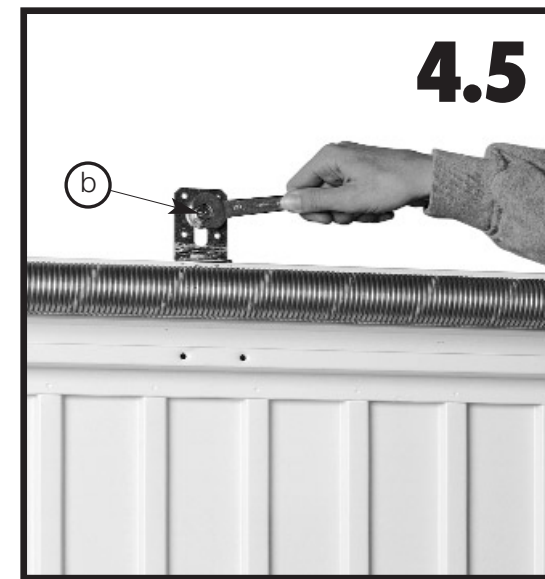
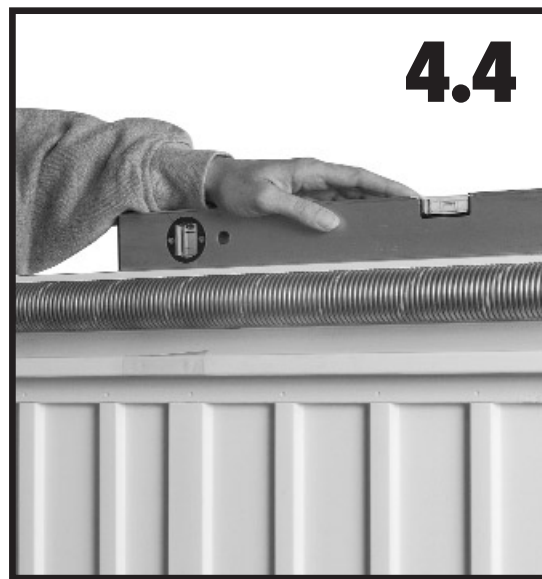
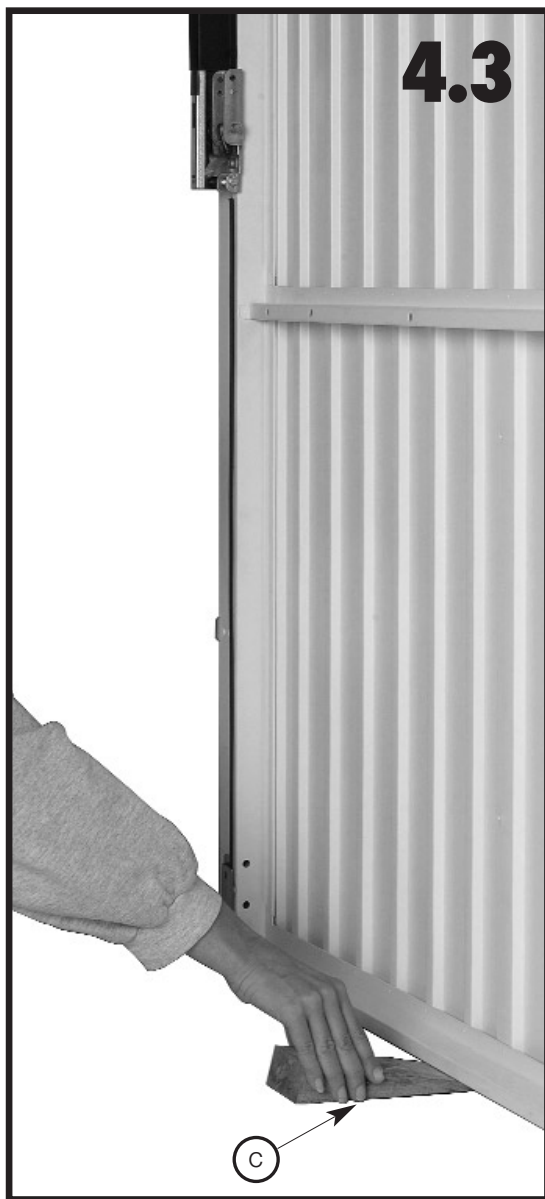


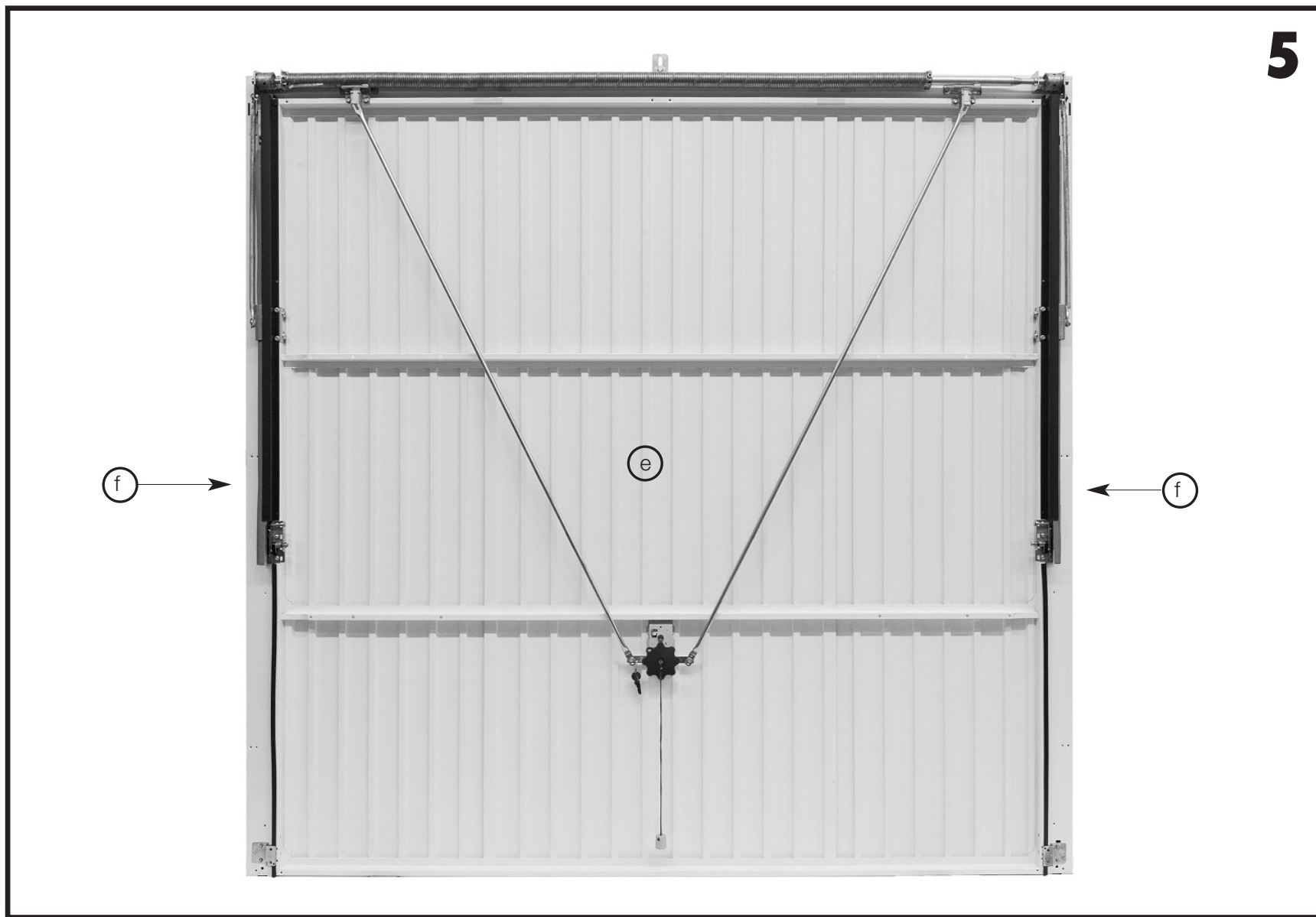


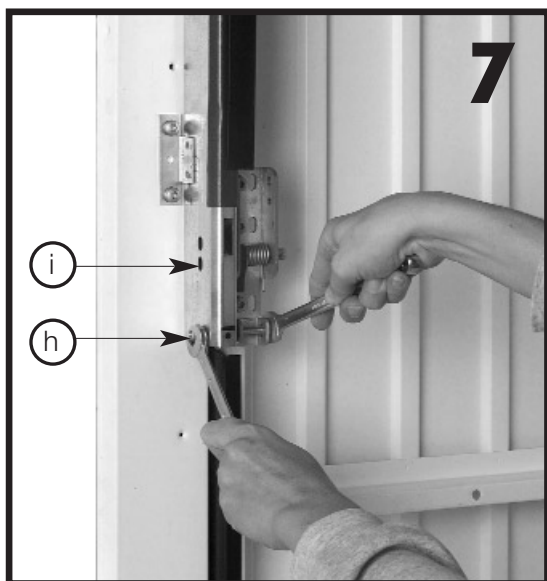
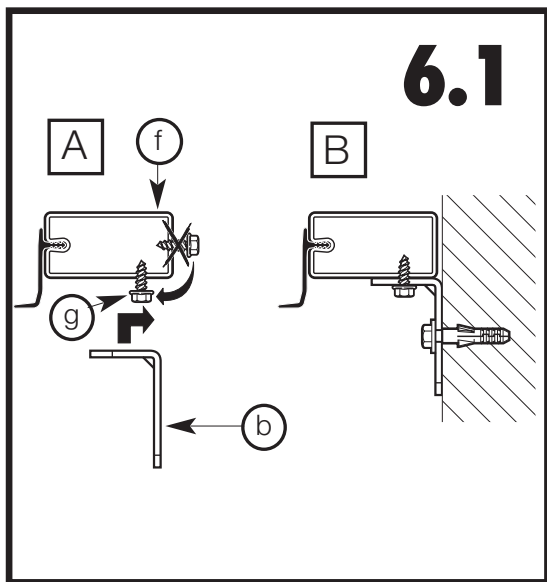


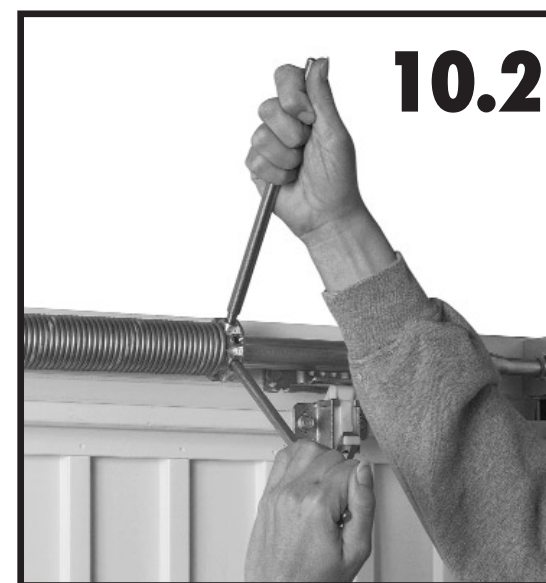
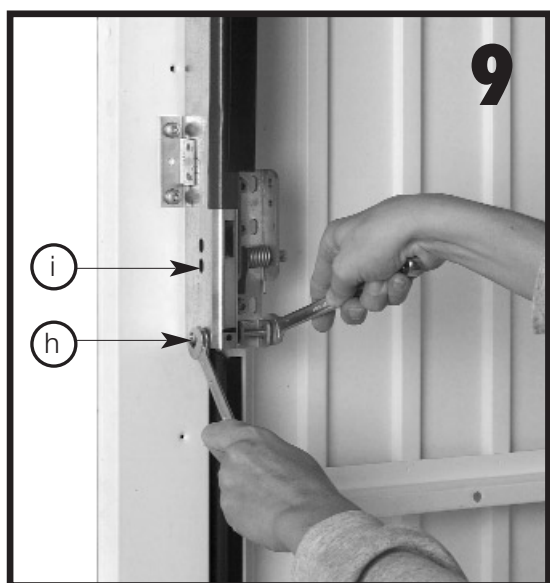
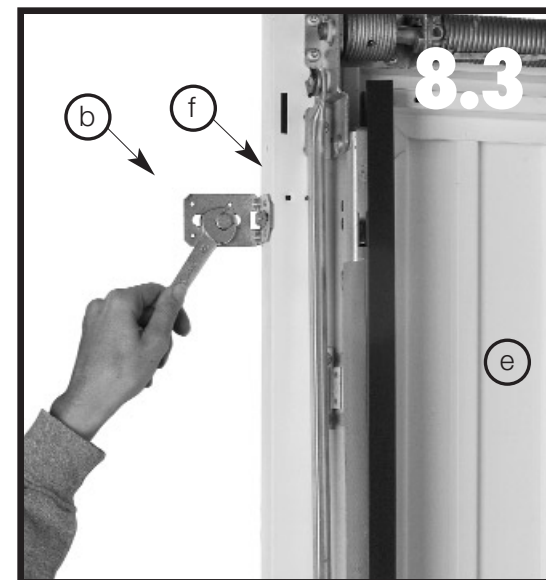
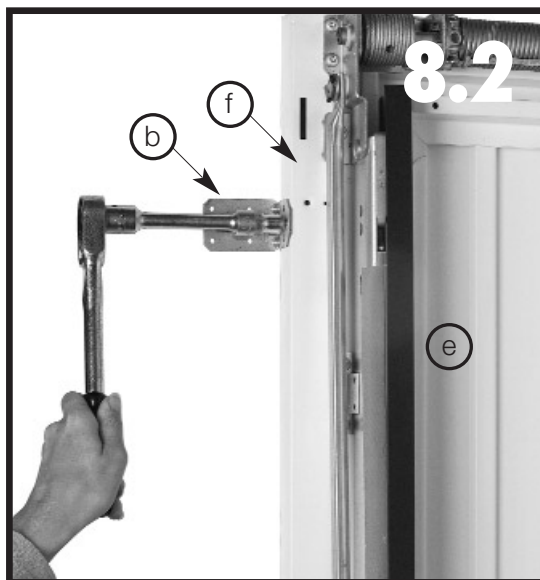
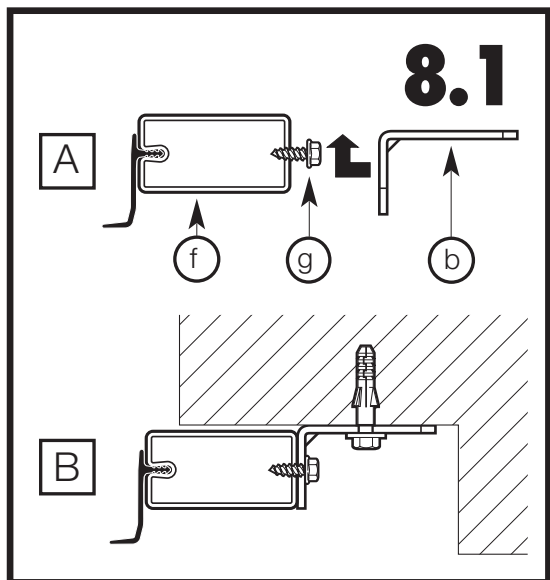


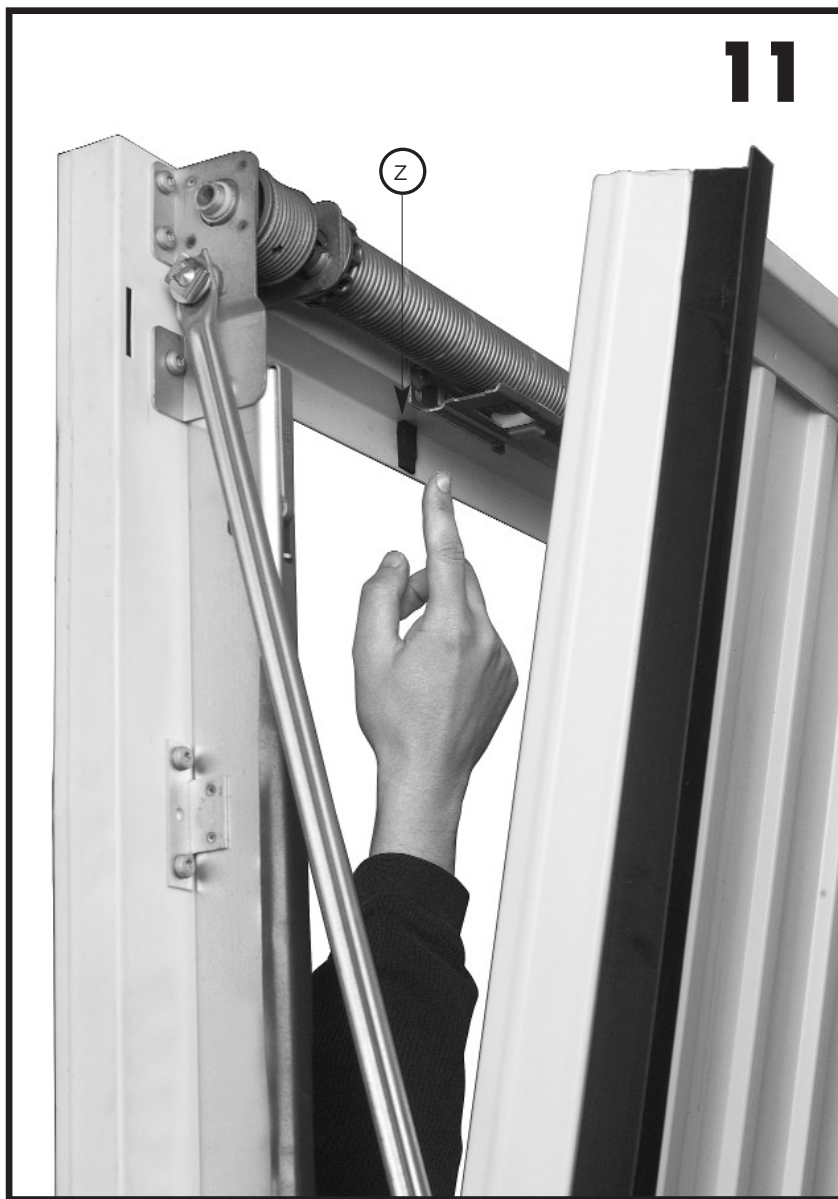






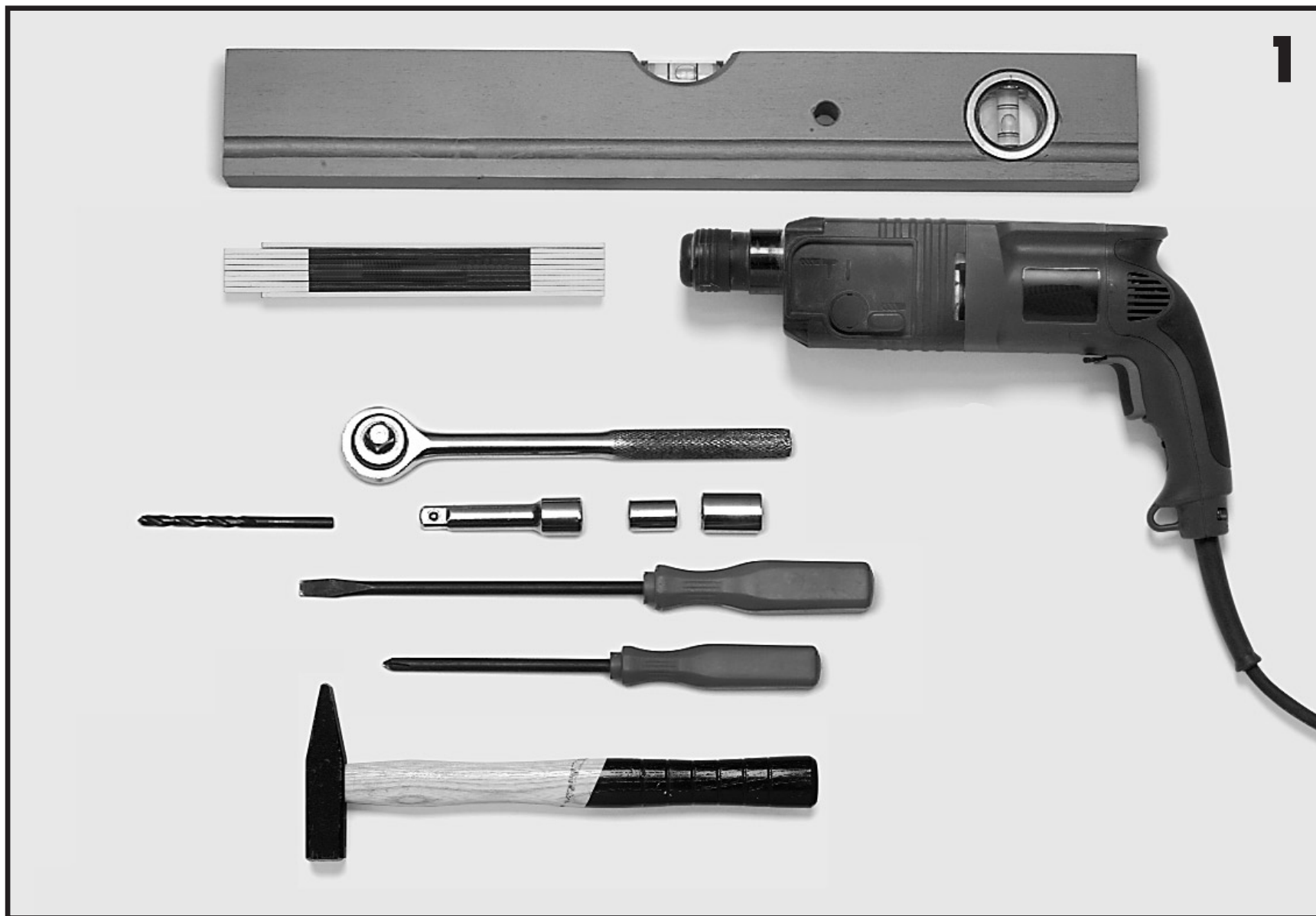




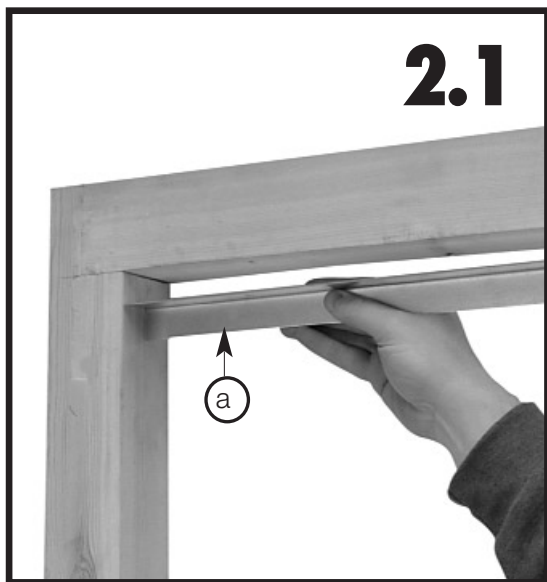


14

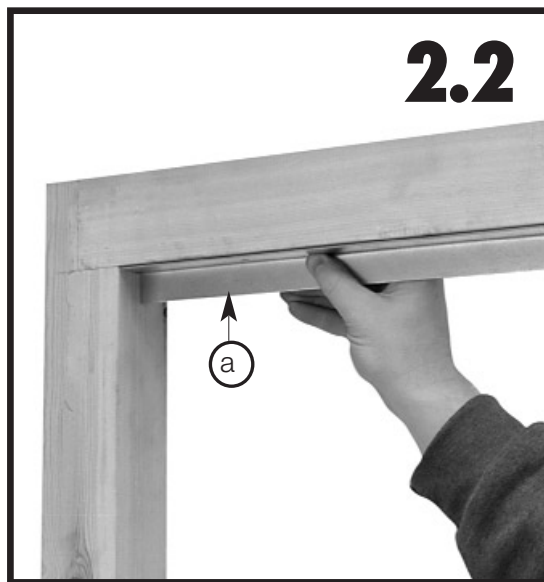




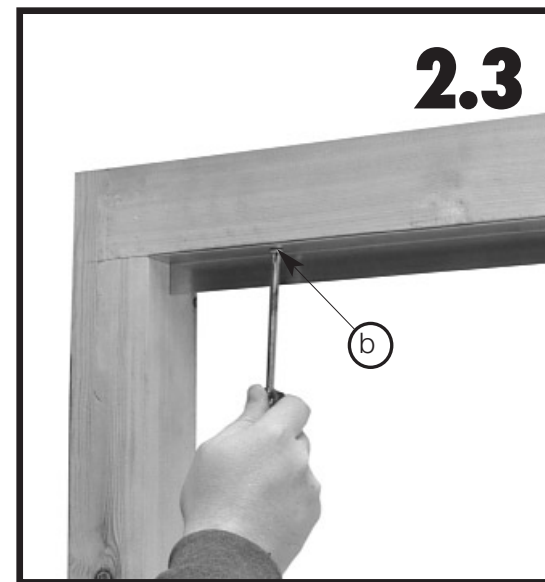




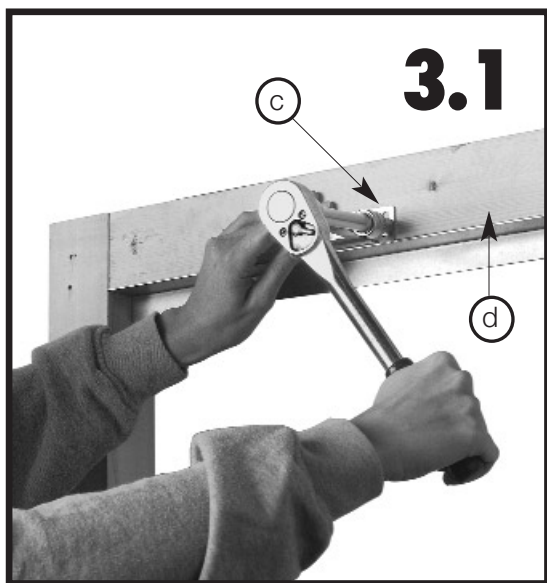
**2.1**



**2.2**



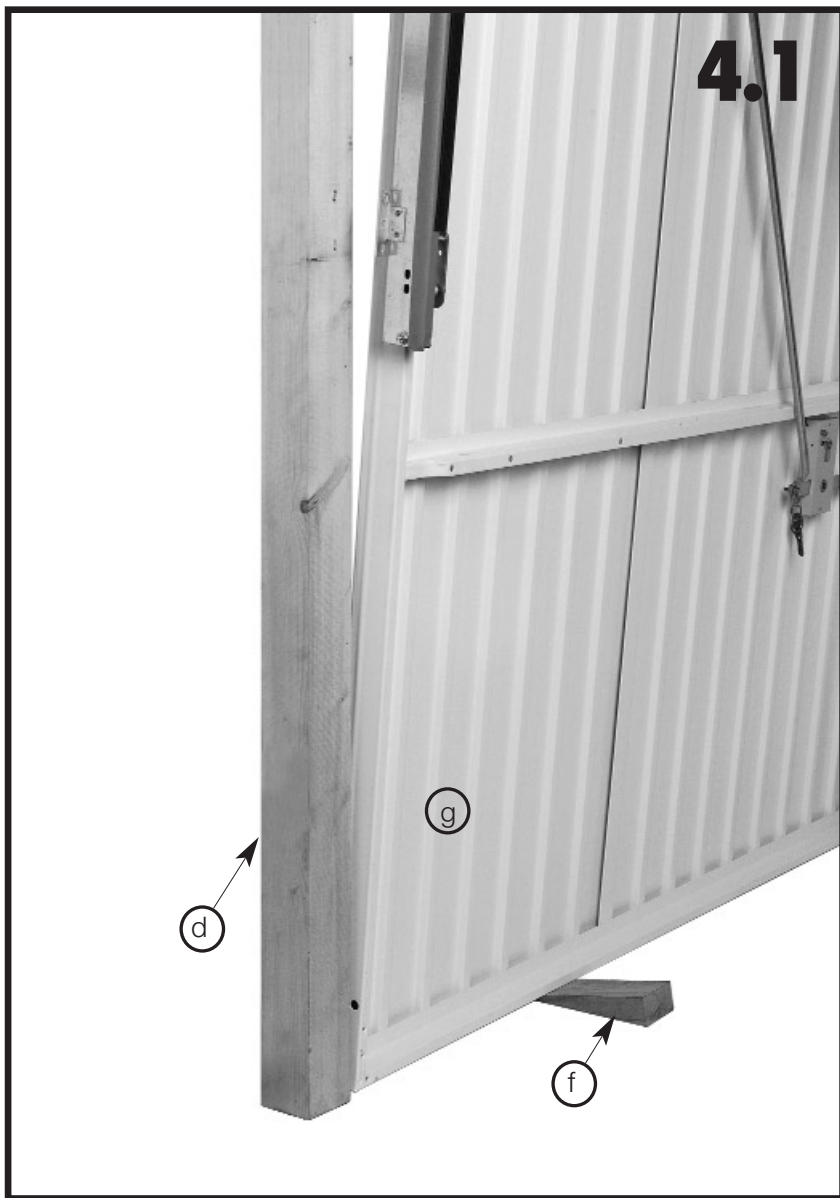
**2.3**



**3.1**

Width	"A"
6'6"	165 mm
6'8"	195 mm
6'10"	210 mm
7'0"	240 mm
7'3"	280 mm
7'5"	300 mm
7'6"	310 mm
7'8"	340 mm
8'0"	390 mm

**3.2**





**6**

